

TR408AD ATC CNC Router

- A Great Fit for Value Buyers Who Want High Performance



TigerTec TR408AD ATC CNC Router is an automatic tool changer to make changes in cutting parts fast, fully programmable CNC knife that allows you to cut a wide range of materials (such as plastic, wood, foam, and composite materials) and applications, from cutting, milling and drilling. And this machine includes the Syntec Windows Based Control System so you can start routing right away and have minimal interruption in your work processes, is the perfect combination of high performance, attractive price and excellent quality.

OPTIONS:

- Carrousel automatic tool changer on the gantry
- 5' x 10' , 7' x 10' and 7' x 13' stock sizes (Special sizes available upon request)
- Vacuum pumps from China or Germany for your choice
- Double-layer multi-holes vacuum working table
- Pneumatic Reference Locator Pins (for aligning work piece)
- Mist cooling system
- Lubricating system
- Dust collector

Standard features:

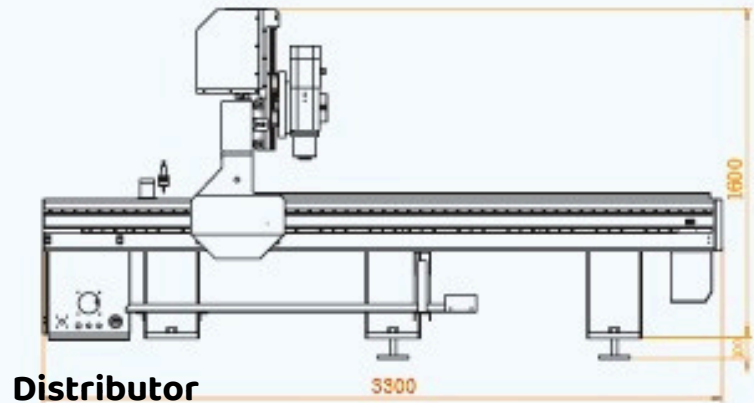
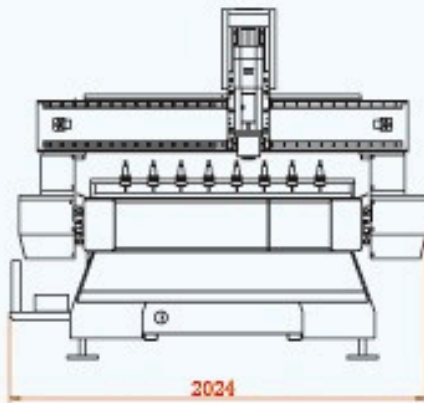
- 1300*2500mm (4' x 8') process area
- Syntec controller with USB connection and a magnetic hand held manual controller (Extremely Easy Functions)
- With a 9.0kw (12HP) HSD high frequency automatic tool changer spindle
- Massive gantry rides on extremely accurate German WMH Herion helical rack and pinion and linear guide ways for each of XYZ -movements
- Powered by Yaskawa servo driving system, important for strength and accuracy of the machining process
- Work surface constructed bakelite with T-slot tracks ensure plenty of options for holding down materials.
- Linear tool holder with 8 holder positions for the ISO30 chucks and tooling
- Automatic tool length calibration device (tool touch off)
- All of the electrical components are housed, wired and tagged from Siemens, Schneider, Igus and Phoenix

Applications:

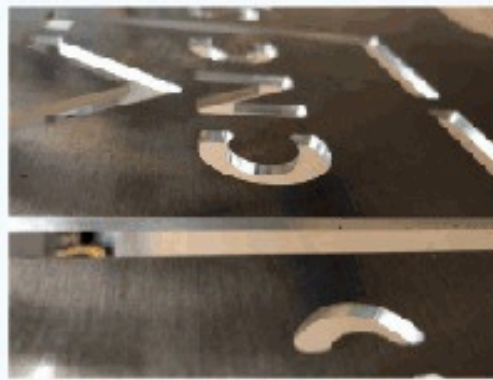
- Sign Making
- Musical Instruments
- Wood Working
- Plastics
- Foam
- Prototyping
- Craft Making
- General Fabrication
- Model Making
- Furniture making
- Education

Specifications:

Model No.	Process Area			Accuracy	Weight	Foot Print		
	X	Y	Z			W	L	H
TR408AD	1300mm	2500mm	200mm	± 0.05mm	1400KGS	2024mm	3300mm	1600mm
ATC	51.2"	98.4"	7.9"			79.7"	129.9"	63"
TR510AD	1500mm	3000mm	200mm	± 0.05mm	1700KGS	2224mm	3800mm	1600mm
ATC	59.0"	118.1"	7.9"			87.6"	149.6"	63"
TR710AD	2000mm	3000mm	200mm	± 0.05mm	2000KGS	2724mm	3800mm	1600mm
ATC	78.7"	118.1"	7.9"			107.2"	149.6"	63"
TR713AD	2000mm	4000mm	200mm	± 0.05mm	2200KGS	2724mm	4800mm	1600mm
ATC	78.7"	157.5"	7.9"			107.2"	189"	63"



Distributor



Honesty Moulds The Quality, Quality Wins The Market